

# Meat Grinders

## Standard Features

- Powerful, high torque motor, with manual reset overload protection
- PPG-22 is 1.5 Horsepower
- PPG-12 is 1 Horsepower
- Direct gear-driven transmission, mounted on ball bearings
- Permanent grease-lubricated gear box
- Manual reset motor overload protection
- Forward/reverse switch
- Compact size and seamless construction
- PPG-22 - 450 lbs/hr meat capacity
- PPG-12 - 250 lbs/hr meat capacity
- Top-mounted handle with tray support
- Non-slip rubber feet six-foot cord and plug

## Standard Accessories

- Knife
- Stainless steel product tray
- 1/4" (6mm) plate
- 5/16" (8mm) plate
- Plastic food pusher
- Sausage stuffing tube

### MODELS:

PPG-22



PPG-22



1 YEAR PARTS AND LABOR WARRANTY (US ONLY)





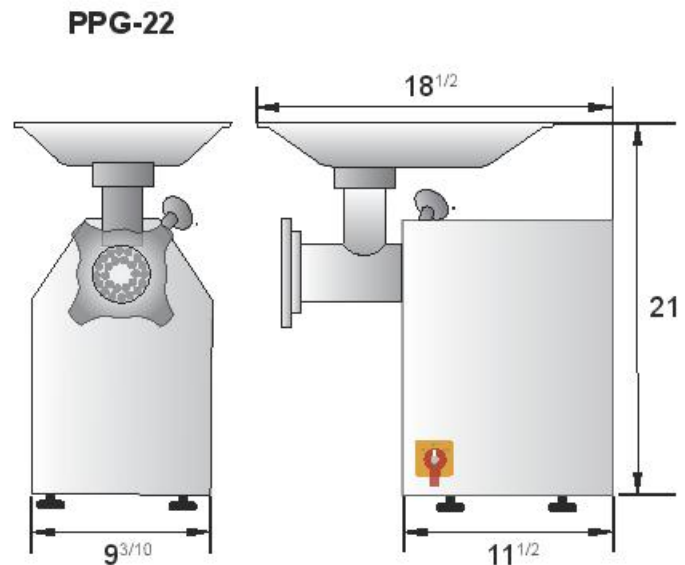
**"YOUR KITCHEN PAL!"**

Toll Free: 855-855-0399 Email: [info@atosausa.com](mailto:info@atosausa.com)  
[www.atosausa.com](http://www.atosausa.com) | [www.atosausa.com](http://www.atosausa.com)  
 California, Colorado, Florida, Georgia, Illinois,  
 Massachusetts, New Jersey, Ohio, Texas, Washington

**SPECIFICATIONS**

Models	HP	Watts(W)	Voltage (V/Hz/Ph)	Capacity (lbs/h)	Speed (RMPs)	Exterior Dimensions (inch)	Net Weight (lbs)	Gross Weight (lbs)
PPG-22	1 <sup>1/2</sup>	1100	110/60/1	450	170	9 <sup>3/10</sup> ×11 <sup>1/2</sup> ×21	76	84

**PLAN VIEW**



**STANDARD ACCESSORY PACKAGE**

Food tray support



Meat grinder attachments



Meat pusher



Sausage Stuffer

