



"WE MAKE THE KITCHEN BETTER!"

Toll Free: 855-855-0399 Email: info@atosausa.com
www.atosa.com | www.atosausa.com
 California, Colorado, Florida, Georgia, Illinois,
 Massachusetts, New Jersey, Ohio, Texas, Washington

Undercounter Refrigerators

Standard Features

- Stainless steel exterior & interior with reinforced stainless steel top
- Environmentally friendly R290 refrigerant
- Left hand hinge model available (MGF8401GRL)
- Electronic temperature controller
- Maintains temperatures between 33°F - 45°F
- Recessed door handle(s)
- Self-closing door(s) with stay open feature
- Magnetic door gasket(s) standard for positive door seal
- Pre-installed casters
- One(1) pre-installed shelf per section

Optional Accessories

- Extra shelves – includes 4 shelf clips per shelf
 MGF8401GR(L) shelf part #: W0402568
 MGF36RGR shelf part #: W0402713
 MGF8402GR shelf part #: W0402171
 MGF8403GR shelf part #: W0402569
 MGF8404GR shelf part #: W0402171 left/right shelf, part #: W0402570 middle shelf

For the best results of food preservation we recommend setting your refrigerator between 33 °F to 45 °F

1. Don't forget to leave the unit some room to breathe!
2. Please clean the condenser frequently to give the unit more fresh air.



2 YEAR PARTS AND LABOR WARRANTY (US ONLY)
 5 YEAR COMPRESSOR PART WARRANTY (US ONLY)

MODELS:

MGF8404GR



MGF8404GR



For confirmation and updates on the latest energy star models, please visit energystar.gov



"WE MAKE THE KITCHEN BETTER!"

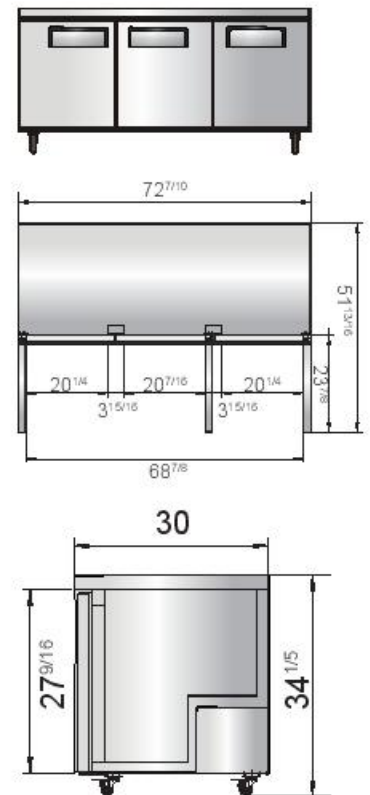
Toll Free: 855-855-0399 Email: info@atosausa.com
www.atosausa.com | www.atosausa.com
 California, Colorado, Florida, Georgia, Illinois,
 Massachusetts, New Jersey, Ohio, Texas, Washington

SPECIFICATIONS

Models	Door	Capacity (Cu.Ft.)	Shelves	Casters (inch)	Amps (A)	Voltage (V/Hz/Ph)	HP	Refrigerant	Exterior Dimensions (inch)	Net Weight (lbs)	Gross Weight (lbs)
MGF8404GR	3	21.1	3	2	2.8	115/60/1	1/5	R290	72 ^{7/16} ×30×34 ^{1/5}	254	315

PLAN VIEW

MGF8404GR



Casters

Epoxy shelves

Rear grate

Temperature control

