



"WE MAKE THE KITCHEN BETTER!"

Toll Free: 855-855-0399 Email: info@atosausa.com
 www.atosa.com | www.atosausa.com
 California, Colorado, Florida, Georgia, Illinois,
 New Jersey, Ohio, Texas, Washington

Undercounter Freezers

MODELS:

MGF24FGR

Standard Features:

- Stainless steel exterior & interior with reinforced stainless steel top
- Environmentally friendly R290 refrigerant
- Dixell digital controller
- Maintains temperatures between -8°F – 0°F
- Recessed door handle(s)
- Self-closing door(s) with stay open feature
- Magnetic door gasket(s) standard for positive door seal
- Pre-installed casters
- One(1) pre-installed shelf per section



MGF24FGR

Optional Accessories

- Extra Shelves – Includes 4 shelf clips per shelf
- MGF8405GR(L) shelf part #: W0402568
- MGF36FGR shelf part #: W0402713
- MGF8406GR shelf part #: W0402171
- MGF8406GR double overshef part #: MROS-4RE
- MGF8407GR shelf part #: W0402569
- MGF8407GR double overshef part #: MROS-5RE

For the best results of food preservation we recommend setting your freezer between 0°F - 8 °F

1. Don't forget to leave the unit some room to breathe!
2. Please clean the condenser frequently to give the unit more fresh air.



2 YEAR PARTS AND LABOR WARRANTY (US ONLY)
 5 YEAR COMPRESSOR PART WARRANTY (US ONLY)





"WE MAKE THE KITCHEN BETTER!"

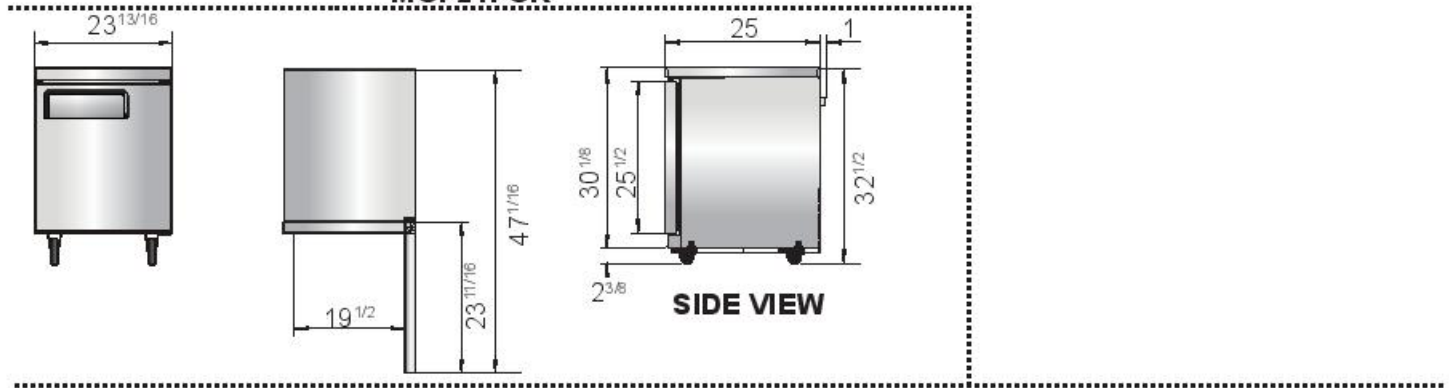
Toll Free: 855-855-0399 Email: info@atosausa.com
 www.atosa.com | www.atosausa.com
 California, Colorado, Florida, Georgia, Illinois,
 New Jersey, Ohio, Texas, Washington

SPECIFICATIONS

Model	Doors	Capacity Cu. Ft	Shelves	Casters (inch)	Amps (A)	Voltage (V/Hz/Ph)	HP	Refrigerant	Exterior Dimension (inch)	Net Weight (lbs)	Gross Weight (lbs)
MGF24FGR	1	4.8	2	2	2.4	115/60/1	1/5	R290	23 ^{13/16} × 25 × 32 ^{1/2}	115	137

PLAN VIEW

MGF24FGR



Casters

Epoxy Shelves

Rear Grate

Temperature Control

