



"WE MAKE THE KITCHEN BETTER!"

Toll Free: 855-855-0399 Email: info@atosausa.com
www.atosa.com | www.atosausa.com
California, Colorado, Florida, Georgia, Illinois,
Massachusetts, New Jersey, Ohio, Texas, Washington

Countertop Refrigerated Display Cases - Curved / Square

MODELS:
CRDS-56

Standard Features

- Stainless steel exterior & interior with black frames
- Rear mount compressor with environmentally friendly R290 refrigerant
- Dixell digital controller
- Two(2) stainless steel shelves standard
- Defog feature to ensure the glass stays clear
- Maintains temperatures between 33°F – 41°F
- Magnetic door gasket(s) standard for positive door seal
- Two(2) rear sliding doors
- LED interior lighting
- Leveling legs
- Nema 5-15 plug



CRDS-56

For the best results of food preservation we recommend setting your refrigerator between 33 °F - 38 °F

1. Don't forget to leave the unit some room to breathe!
2. Please clean the condenser frequently to give the unit more fresh air.



1 YEAR PARTS AND LABOR WARRANTY (US ONLY)
5 YEAR COMPRESSOR PART WARRANTY (US ONLY)





"WE MAKE THE KITCHEN BETTER!"

Toll Free: 855-855-0399 Email: info@atosausa.com

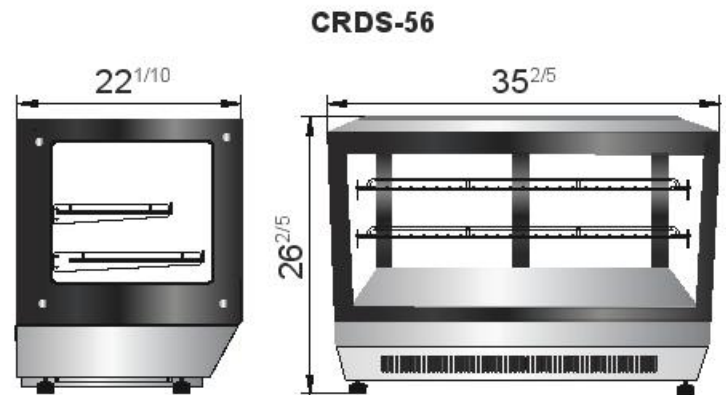
www.atosa.com | www.atosausa.com

California, Colorado, Florida, Georgia, Illinois, Massachusetts, New Jersey, Ohio, Texas, Washington

SPECIFICATIONS

Models	Door	Capacity (Cu.Ft.)	Shelves	Amps(A)	Voltage (V/Hz/Ph)	HP	Refrigerant	Exterior Dimensions (inch)	Net Weight (lbs)	Gross Weight (lbs)
CRDS-56	2	5.6	2	2	115/60/1	1/5	R290	35 ^{2/5} ×22 ^{1/10} ×26 ^{2/5}	165	214

PLAN VIEW



LED lights

