



"TO COOK NICELY!"

Toll Free: 855-855-0399 Email: info@atosausa.com
www.atosausa.com | www.atosausa.com
California, Colorado, Florida, Georgia, Illinois,
Massachusetts, New Jersey, Ohio, Texas, Washington

Gas Ranges

(4, 6, 8 & 10 Burner models)

MODELS:

AGR-4B

Standard Features

- Stainless steel exterior including front, back sides, kick plate, back guard and over shelf
- Heavy duty 12" X 12" removable, cast iron top grates
- Drip tray provided under burners to catch grease drippings
- 32,000 BTU top burners & 27,000 BTU oven burners
- Oven temperature range between 175°F to 550°F
- Standing pilot for open top burners
- Oven pilot with 100% safety shut off
- Enamel interior oven for easy cleaning
- Multiple position oven rack guides
- Two(2) chrome oven rack per oven standard
- Available in Natural and Propane
- 3/4" NPT rear gas connection and regulator provided
- Four(4) casters standard



AGR-4B

Optional Accessories

- Leg part #: 301110006
- AGR-4B/AGR-8B extra oven rack part #: 301100013
- AGR-6B/AGR-10B extra oven rack part #: 301100012



1 YR WARRANTY ON ALL PARTS AND LABOR (US ONLY)



Confirms A901
03/28/11 0209021 1
Certification
03/18/2016 03/11
Confirms 901/908/134





"TO COOK NICELY!"

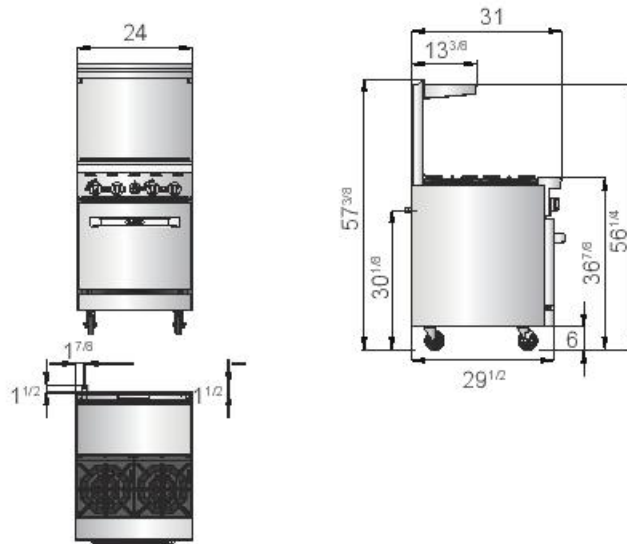
Toll Free: 855-855-0399 Email: info@atosausa.com
www.atosausa.com | www.atosausa.com
 California, Colorado, Florida, Georgia, Illinois,
 Massachusetts, New Jersey, Ohio, Texas, Washington

SPECIFICATIONS

Models	Gas Type	Burner Name	Total BTU B.T.U./h	Number of Burners	Valve Types	Oven Size (inch)	Hot Plates Working Area (inch)	Exterior Dimensions (inch)	Net Weight (lbs)	Gross Weight (lbs)
AGR-4B	NG	Hot plates	128,000	4	Pilot light	20×26×14	4pcs 11 ^{4/5} ×11 ^{4/5}	24×31×57 ^{3/8}	326	428
		Oven	24,000	1						
	LP	Hot plates	128,000	4						
		Oven	24,000	1						

PLAN VIEW

AGR-4B



Heavy duty burners

Chrome oven rack

Stainless steel knobs

