

36" Combination Gas Ranges

Standard Features

- Stainless steel exterior including front, back sides, kick plate, back guard and over shelf
- 36" combination ranges with a 24" griddle top with 2 burners
- Heavy duty 3/4" thick polished steel griddle plate
- Drip tray provided under burners to catch grease drippings
- 32,000 BTU top burners, 27,000 BTU griddle & 27,000 BTU oven burners
- Oven temperature range between 175°F to 550°F
- Standing pilot for open top burners
- Oven pilot with 100% safety shut off
- Enamel interior oven for easy cleaning
- Multiple position oven rack guides
- Two(2) chrome oven rack per oven standard
- AGR-2B24GR and AGR-2B24GL are available in Natural and Propane
- 3/4" NPT rear gas connection and regulator provided
- Four(4) casters standard

Optional Accessories

- Leg kit part #: 301110006
- Extra oven rack part #: 301100012

MODELS:

AGR-2B24GL



AGR-2B24GL



1 YR WARRANTY ON ALL PARTS AND LABOR (US ONLY)



California AGR
301110-2500011
California CA
301110-2500011
California 101 AGR11114





"TO COOK NICELY!"

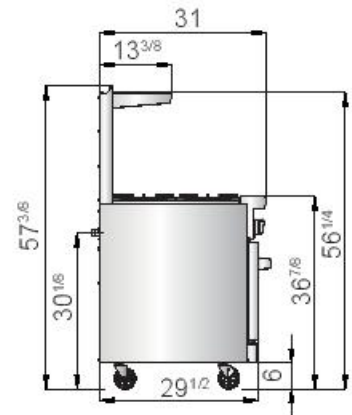
Toll Free: 855-855-0399 Email: info@atosausa.com
 www.atosa.com | www.atosausa.com
 California, Colorado, Florida, Georgia, Illinois,
 Massachusetts, New Jersey, Ohio, Texas, Washington

SPECIFICATIONS

Models	Gas Type	Burner Name	Total BTU B.T.U./h	Number of Burners	Valve Types	Oven Size (inch)	Hot Plates Working Area (inch)	Griddle Working Area (inch)	Exterior Dimensions (inch)	Net Weight (lbs)	Gross Weight (lbs)
AGR-2B24GL	NG	Hot plates	64,000	2	Pilot light	26 ^{1/2} ×26×14	2 pcs 11 ^{4/8} ×11 ^{4/8}	24×20 ^{8/8}	36×31×57 ^{3/8}	479	607
		Griddle	48,000	2							
		Oven	27,000	1							
	LP	Hot plates	46,000	2							
		Griddle	48,000	2							
		Oven	27,000	1							

PLAN VIEW

AGR-2B24GL



Heavy duty burners

Chrome oven rack

Stainless steel knobs

Stainless steel drip tray

